

Hobie MirageDrive "V2"

WHAT MAKES A "V2" DRIVE? V2 DRUMS, V2 CHAINS, V2 IDLER CABLE AND V2 (THREADED) MASTS / SPROCKETS (2009 PRODUCTION AND NEWER)

- 80010001 MIRAGEDRIVE "V2"
- 80013011 MIRAGEDRIVE I-SERIES "V2"
- 80013001 MIRAGEDRIVE ST TURBO "V2"

- 81203001 IDLER CABLE V2
- 8050111 NUT
- 81121001 IDLER PULLEY
- 53170020 SET SCREW
- 81110001 PULLY SHAFT

- 81222001 PEDAL/CRANK ASSY. (R)
- 81221001 PEDAL/CRANK ASSY. (L)
- 81222101 CAP - PEDAL CRANK
- 81222011 PEDAL ONLY (R)
- 81221011 PEDAL ONLY (L)
- 81226001 PEDAL STRAP (R)
- 81227001 PEDAL STRAP (L)



72020034 PEDAL PAD KIT

- 81236001 PEDAL ADJ ASSY
INCLUDES:
81240001 PLASTIC HANDLE
81230001 PIN
8031201 SCREW
81242001 SPRING
ALLEN WRENCH



81172001 PEDAL ADJUSTMENT DECAL



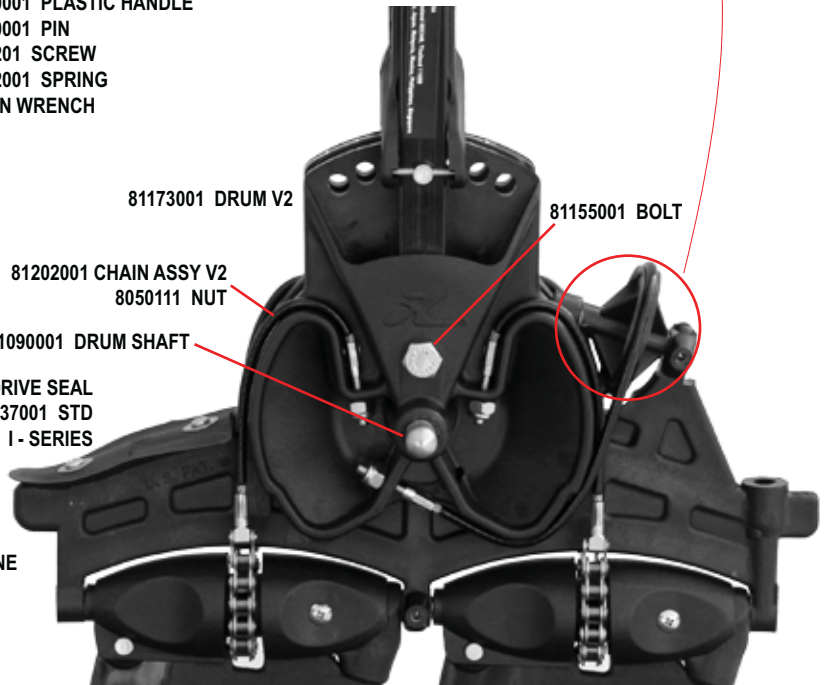
81173001 DRUM V2

- 81202001 CHAIN ASSY V2
- 8050111 NUT

81090001 DRUM SHAFT

- DRIVE SEAL
- 81037001 STD
- 81038001 I - SERIES

81155001 BOLT



81181001 SPINE

- 81080001 SPROCKET SHAFT
- 53170020 SET SCREW

- 81050001 OUTHAUL BLOCK
- 8020041 CLEVIS PIN
- 10860001 LOCK RING

- 81055001 SPROCKET GUARD FWD
- 8031451 SCREW



- 81190001 STANDARD FIN
- 81193001 ST FIN
- 81192001 ST TURBO FIN

81129001 SPROCKET "V2" THREADED

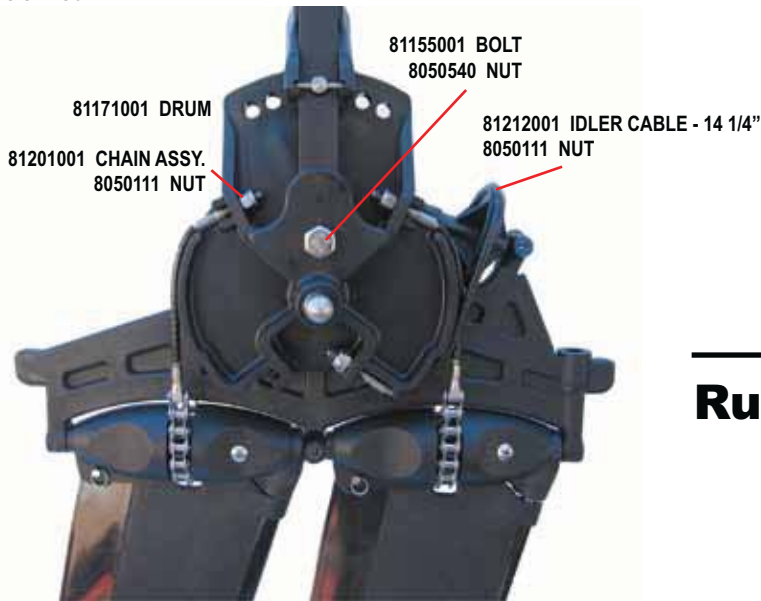


"V2" SPROCKET UPDATE KIT
(2 "V2" SPROCKETS AND 2 "V2" MASTS)
81129022 "V2" STANDARD MAST KIT
81129122 "V2" TURBO MAST KIT

- 81163001 MAST "V2" THREADED
- 81198101 MAST / ST TURBO "V2" THREADED
- 8000341 LOC-TITE .5ML

Hobie MirageDrive "V1"

DRIVE WITH OLDER P-LASTIC DRUM, PLASTIC SPINE, SPROCKET / MAST CONNECTION IS SET SCREW



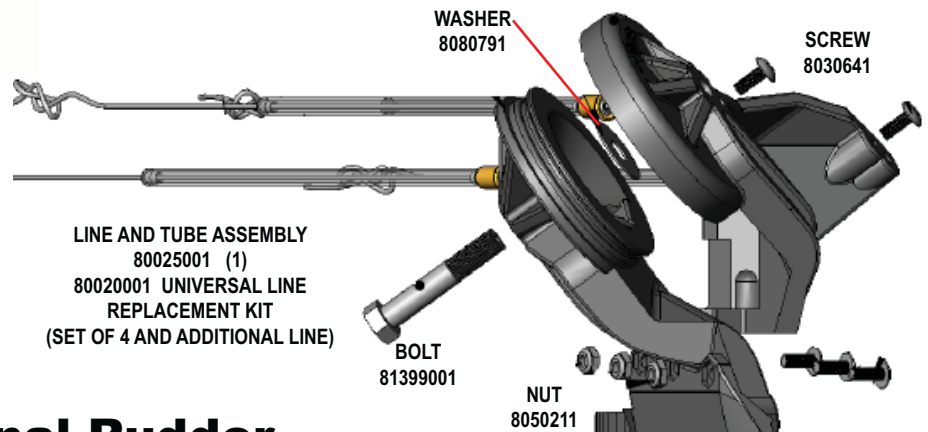
Hobie MirageDrive Older

ORIGINAL DRIVE WITH ALUMINUM SPINE, STAINLESS SPROCKET / MAST CONNECTION IS COTTER KEY

- 81130001 SPROCKET (STAINLESS)
- 81340001 SPROCKET BUSHING (SS SPKT)
- 81420001 SPROCKET GUARD
- 8060111 COTTER KEY (MAST / SS SPKT)
- 81040001 OUTHAUL BLOCK (SS SPKT)
- 8020061 CLEVIS PIN
- 10860001 LOCK RING
- 81211001 IDLER CABLE 14 3/4" (SOLID PULLY)
- 81150001 DRUM BUSHING (ALUM DRUM)
- 81105001 CRANK ARM RIGHT, THREADED
- 81100001 CRANK ARM LEFT, THREADED

Rudder Systems

Twist-n-Stow Rudder



Original Rudder



MIRAGEDRIVE SPARE PARTS KITS

Spare parts kits include a spare fin, mast, sprocket, chain, clevis pin and ring. All in a handy zippered pouch. Available for the standard fin drives or drives with ST Turbo fins. Standard kit shown.

MIRAGEDRIVE "V2" (THREADED MAST STYLE)

Includes parts listed above for V2 "threaded mast" drives.

- 80010301 KIT "V2" STANDARD FIN
- 80013301 KIT "V2" TURBO FIN

MIRAGEDRIVE OLDER (SET SCREW MAST STYLE)

Includes parts listed above plus: Set screw, allen wrench, and a cotter key.

- 80010201 KIT STANDARD FINS
- 80013201 KIT TURBO FINS

EARLY MIRAGE RUDDER

- 8030171 SCREW
- 8080541 WASHER



TWIST-N-STOW RUDDER ASSEMBLY
81395001 SM BLADE
81396001 LG BLADE

RUDDER BLADE
81395201 SM
81397001 LG

TECH TIP

MAINTENANCE AND TUNING Maintenance and tuning information for MirageDrives and Twist-n-Stow rudder systems is available on the Hobie Cat website support area.

www.hobiecat.com/support

Direct link to the support pages for kayaks is here:

<http://www.hobiecat.com/support/index-kayak.html>